

# doripole

## Excitement in the Air!

*Draw attention with Dori Pole's exciting and carefree colors!*

Dori Pole is the unique combination of a long, flowing nylon pennant atop a tall, flexible fiberglass pole signaling fun, flair and festive times wherever it flies!

### EYE-CATCHING!

- Instantly inviting, floating color in motion
- Dramatic effect with little effort
- Up to 22 feet tall

### TROUBLE FREE!

- Flexible fiberglass poles bend but won't break
- Swiveling yoke ensures tangle free action
- Durable, bright nylon pennants
- Can be permanently mounted

### PORTABLE!

- Easy to install and take down
- Transport made easy with telescoping pole
- Ship UPS

### VERSATILE!

- Many color choices plus custom imprints
- Mix or match colors to suit your style and event
- Adjustable or fixed pole height models



## POLE SIZES

### NEW! THREE-PIECE TELESCOPING 19' DORI POLE

The three-piece fiberglass pole extends from 7' 6" to 19', with rotating yoke and 15' long pennant. The three-piece pole ships via UPS!

*Standard pennant size: 15' x 24"*

The new 3-piece Dori Pole is ideal for situations where portability and storage are a priority. Dori Pole will attract attention with its 15' long colorful pennant at festivals, events, racetracks, sporting events and even at homes and lake cottages - anywhere people are having fun!

### TWO-PIECE TELESCOPING STANDARD 22' DORI POLE

Two piece fiberglass pole extends from 13' to 22', with rotating yoke and 15' long pennant.

*Standard pennant size: 15' x 24"*

At 22' the two-piece Dori Pole is three feet taller than the three-piece Dori Pole and is perfect for long-running events and production companies that plan on using many Dori Poles for decoration and effect.

### ONE-PIECE FIXED HEIGHT 21' DORI POLE

21' Fiberglass full-length (non-telescoping) pole with rotating yoke and 15' pennant.

*Standard pennant size: 15' x 24"*

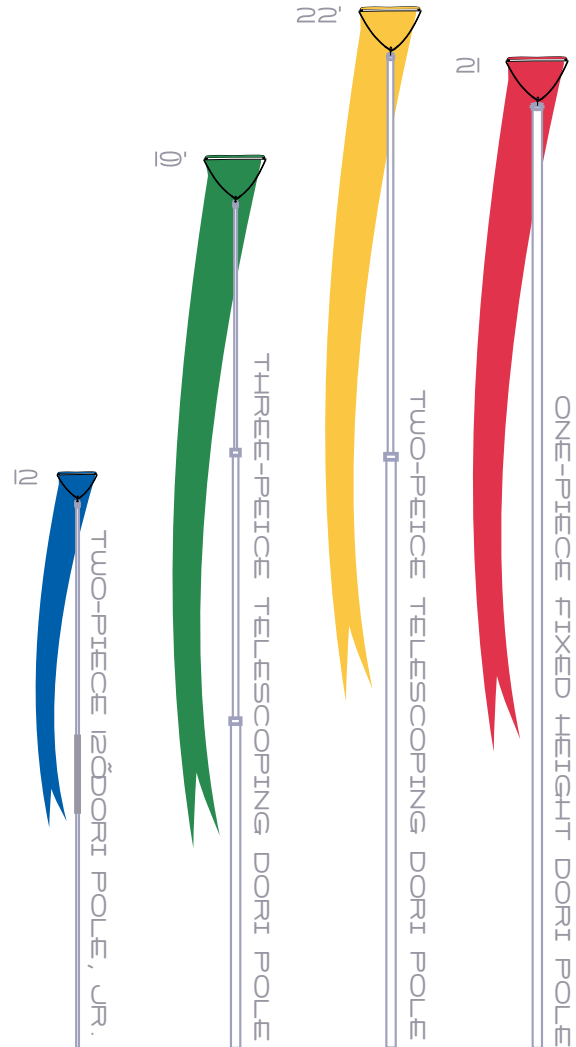
The standard non-adjustable pole is most effective for long term installations such as city festival sites, race tracks and arenas.

### TWO-PIECE 12' DORI POLE JR.

Two-piece 12' fiberglass pole assembles easily from 6' to 12' tall with rotating yoke and 8' long pennant.

*Jr. Pennant size: 8' x 18"*

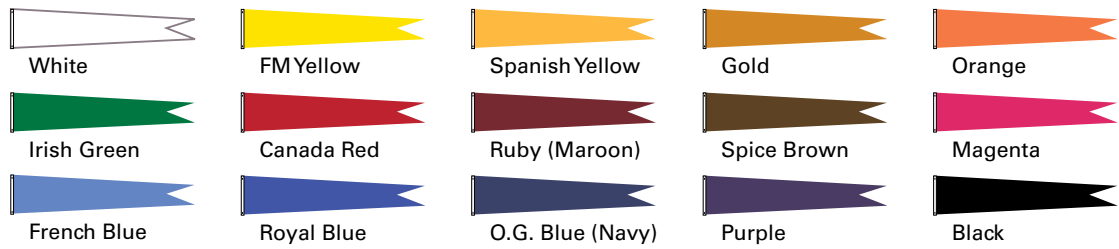
Designed as a smaller version of the original Dori Pole, the Jr. works well as an eye catcher at open houses, big sales or special events - anywhere you want people to take note and join in the fun!



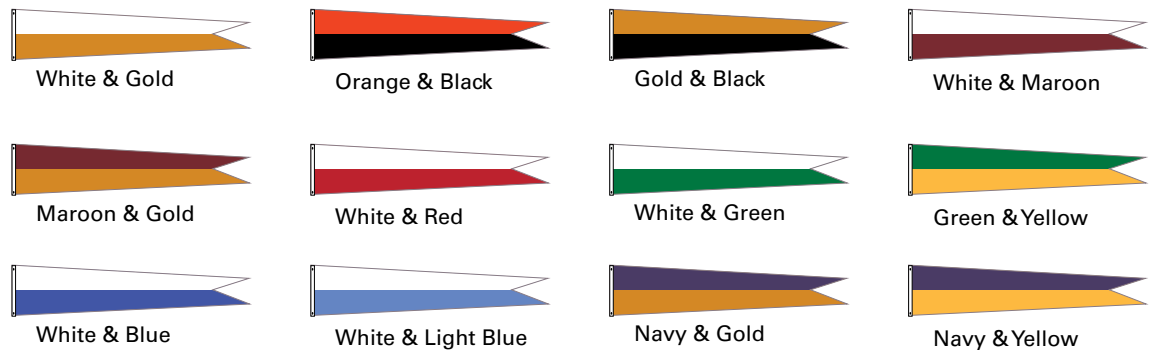
## PENNANT COLORS

There are 15 solid pennant stock color choices and 12 two-color combinations to choose from. Pennants are easy to change. Buy extras to fit your mood or school spirit.

### STOCK SOLID COLORS (available in 15' x 24" and 8' x 18")



### COLLEGIATE COLOR COMBINATIONS (available in 15' x 24" only)



### CUSTOM SOLID COLORS (available in 15' x 24" and 8' x 18")



### RED, WHITE, & BLUE PATRIOTIC PENNANT (available in 15' x 24" ONLY)



### PENNANTS WITH CUSTOM IMPRINTS (available in 15' x 24" and 8' x 18")

Pennants can now be imprinted with your company or school's logo or name. Call today for details.



# INSTALLING THE DORI POLE

## On a temporary stake.

1. Stake should be driven deep enough so the top of the 90-degree angle metal plate is flush with the ground.
2. When raising the pole, place the pole at the base of the stake - then walk the pole UP until it's vertical. Grab the pole approximately 2' above the ground with the other hand 2' above that. Lift the pole straight up and over the stake.

NOTE: Attempting to raise the pole by pivoting the pole over the end of the stake is not the recommended method and breakage may occur.

## For a permanent installation.

The hole should be 6" to 8" x 20" deep. After digging hole, place 2" of drainage gravel at bottom. Set the 1.5" x 18" (sched.80) PVC tube w/nail-stop positioned 1/2" from bottom. Sleeve should protrude 1/2" above ground surface. Backfill with quick setting post hole concrete, sloping downward for drainage.

## NEW! Wheel Stand - perfect for tailgating!

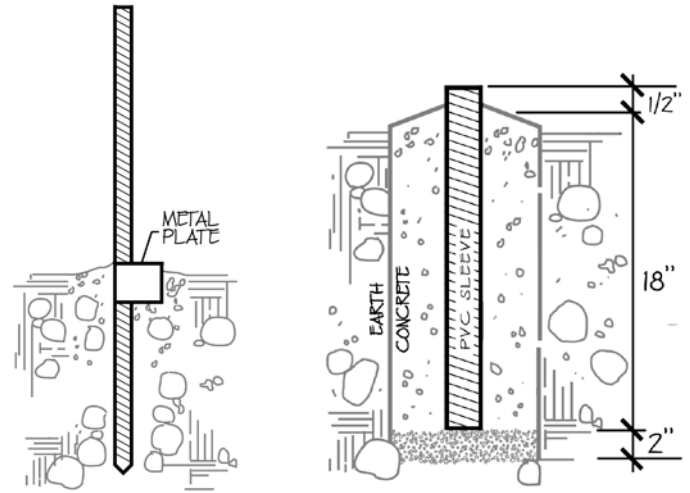
1. Tilt the tubular component into upright position.
2. Ease the car tire over the intended place on the bracket (use help from another person when possible).
3. Install the supplied O-rings at base of pole just above the collar. Place the Dori Pole into the tubular component.

## The Yoke and Pennant.

### Affixing the springs to pennant:

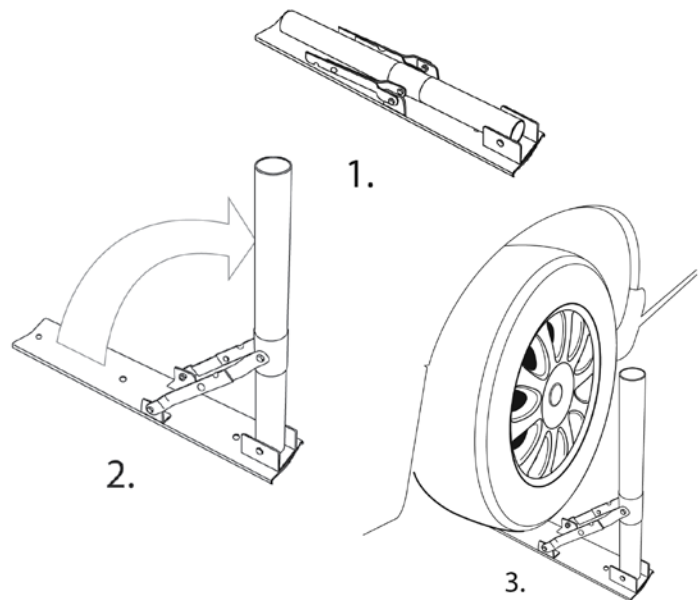
1. Lay the pennant so that it is straight and untwisted. Position the arms as shown, so that the spring loops through the grommet and pulls to the outside as shown in **Figure B**.
2. Slide each arm into the yoke by arching the fiberglass rod enough to create tension. Make sure the rods have been fitted completely into the yoke.
3. The pennant should lay on the side away from the nose of the yoke as shown in **Figure A**.
4. Small holes are provided in the large Dori Pole stainless steel yoke as an optional method of securing the fiberglass arms into the yoke for permanent installations or in severely windy areas. Generally, it is not necessary to use this feature but if you prefer it, here's what to do:

Drill 1/16" holes completely through the fiberglass arms through the holes in the yoke. Then place a 16 gauge, rust resistant wire (galvanized, copper, aluminum, etc.) through the yoke and arms, twist ends together and trim excess wire to avoid sharp ends on which pennants might be damaged.



Temporary Stake

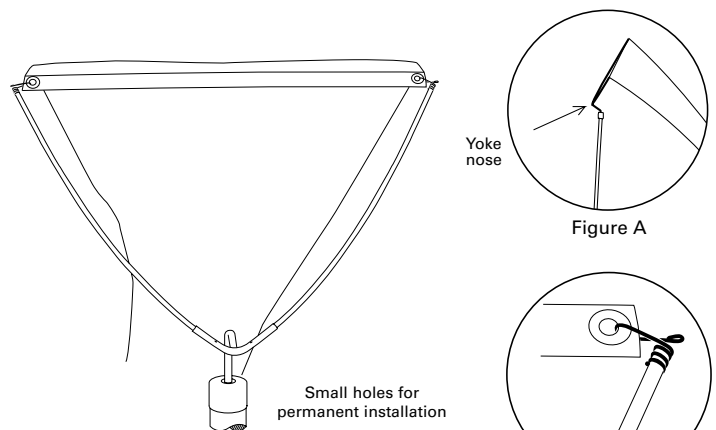
Permanent Installation



2.

1.

3.



Yoke nose

Figure A

Small holes for permanent installation

Figure B



For More Information Call: 1.800.525.6424  
Online: [www.doripole.com](http://www.doripole.com)

CONSORT  
DISPLAY GROUP

2129 Portage Street  
Kalamazoo, MI 49001  
Phone: 269.388.4532  
Fax: 269.388.2018